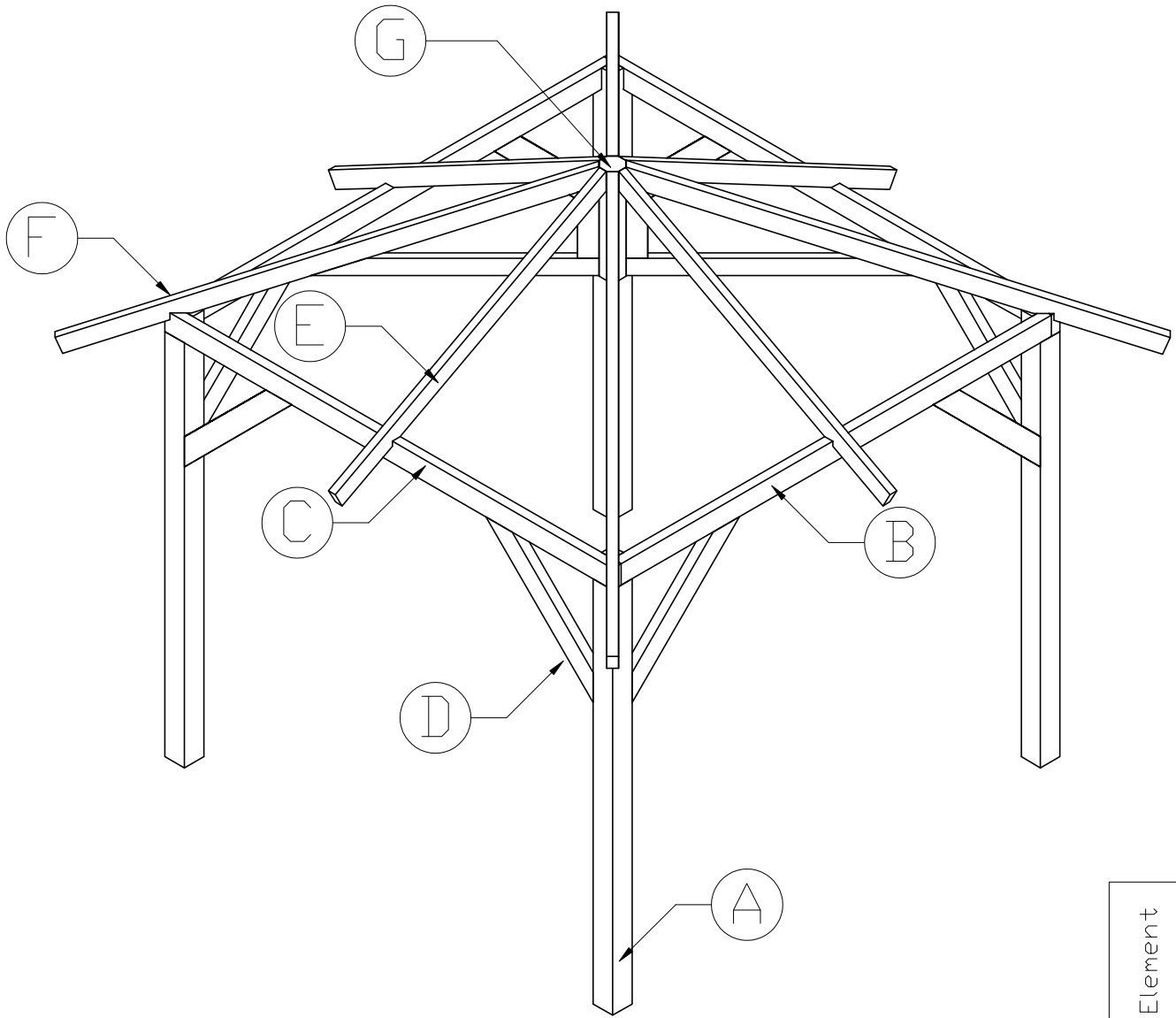


*Gazebo Tourist*



Element	Quantity
A	4
B	2
C	2
D	8
E	4
F	4
G	1

Assembling parts		
#	Element	Q.
1	Wood screw $\varnothing 4 \times 80$	30
2	Nail $\varnothing 4 \times 100$	35

Article:

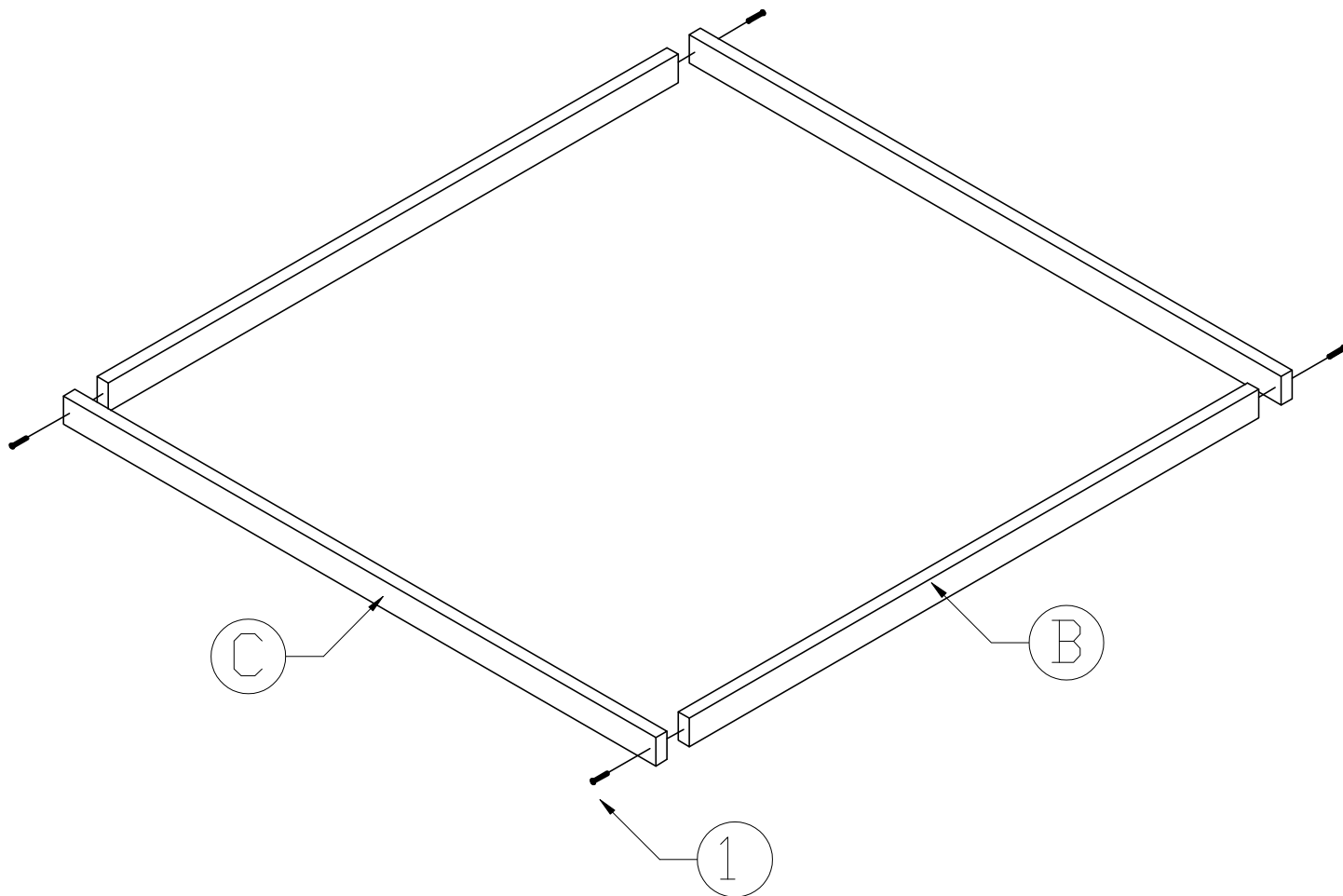
Gazebo Tourist

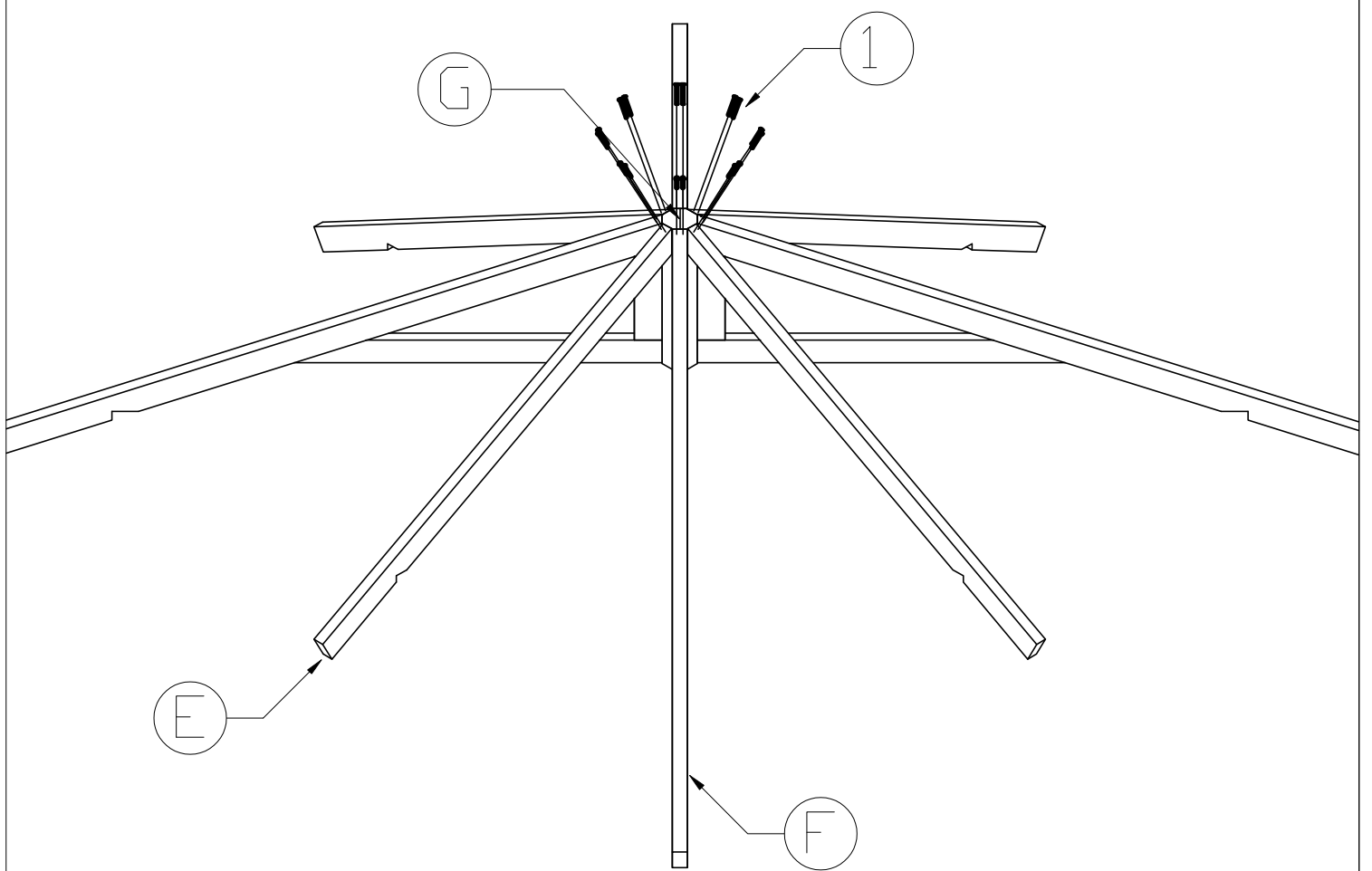
Page:

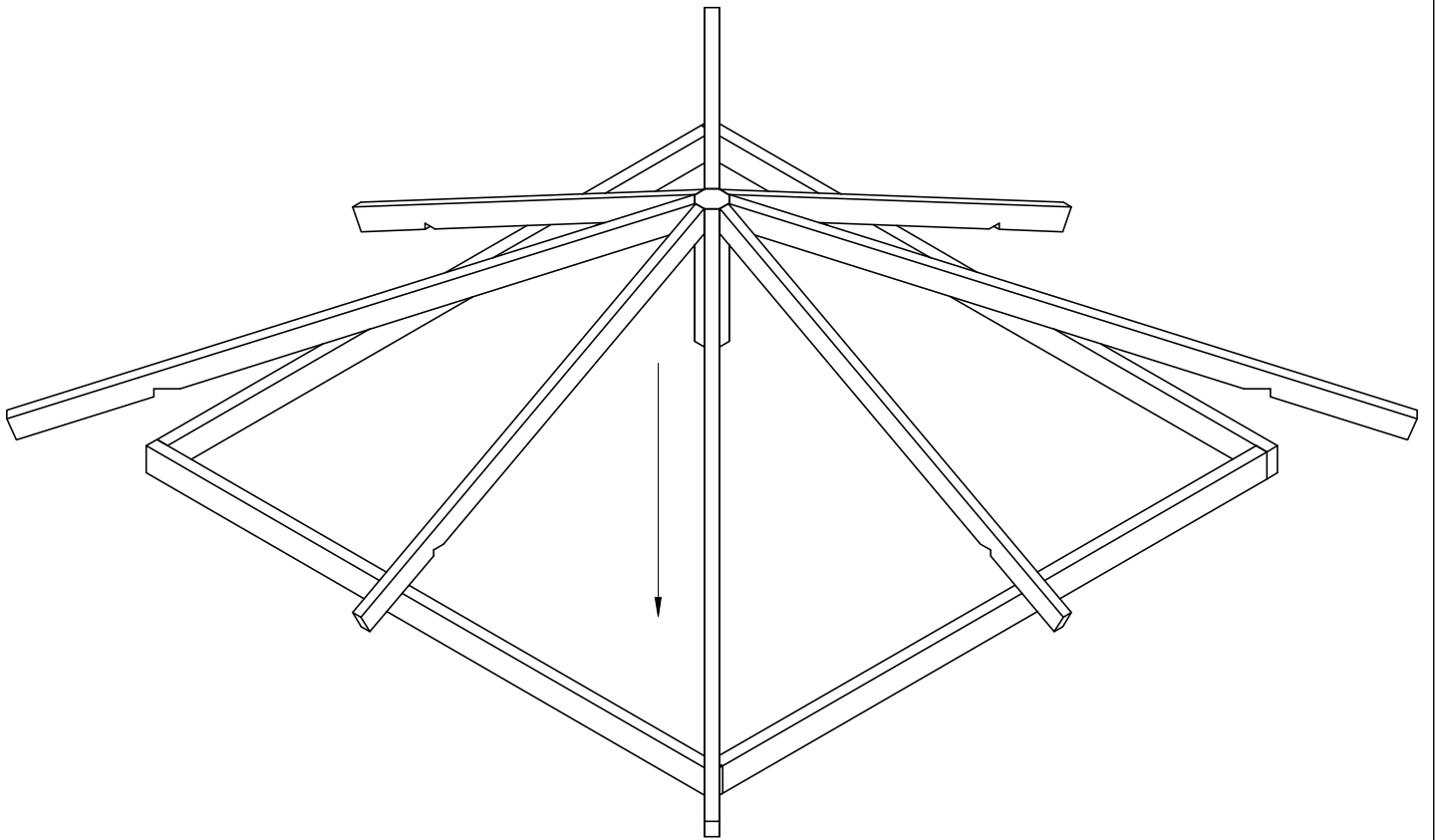
2/17

Article nr:

42.3434







Article:

Gazebo Tourist - Assemblage

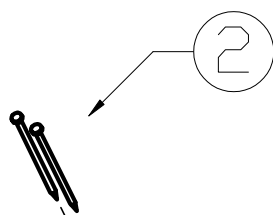
Page:

5/17

Article nr:

42.3434

Use nails #2 to attach rafters to  
the side beams



Article:

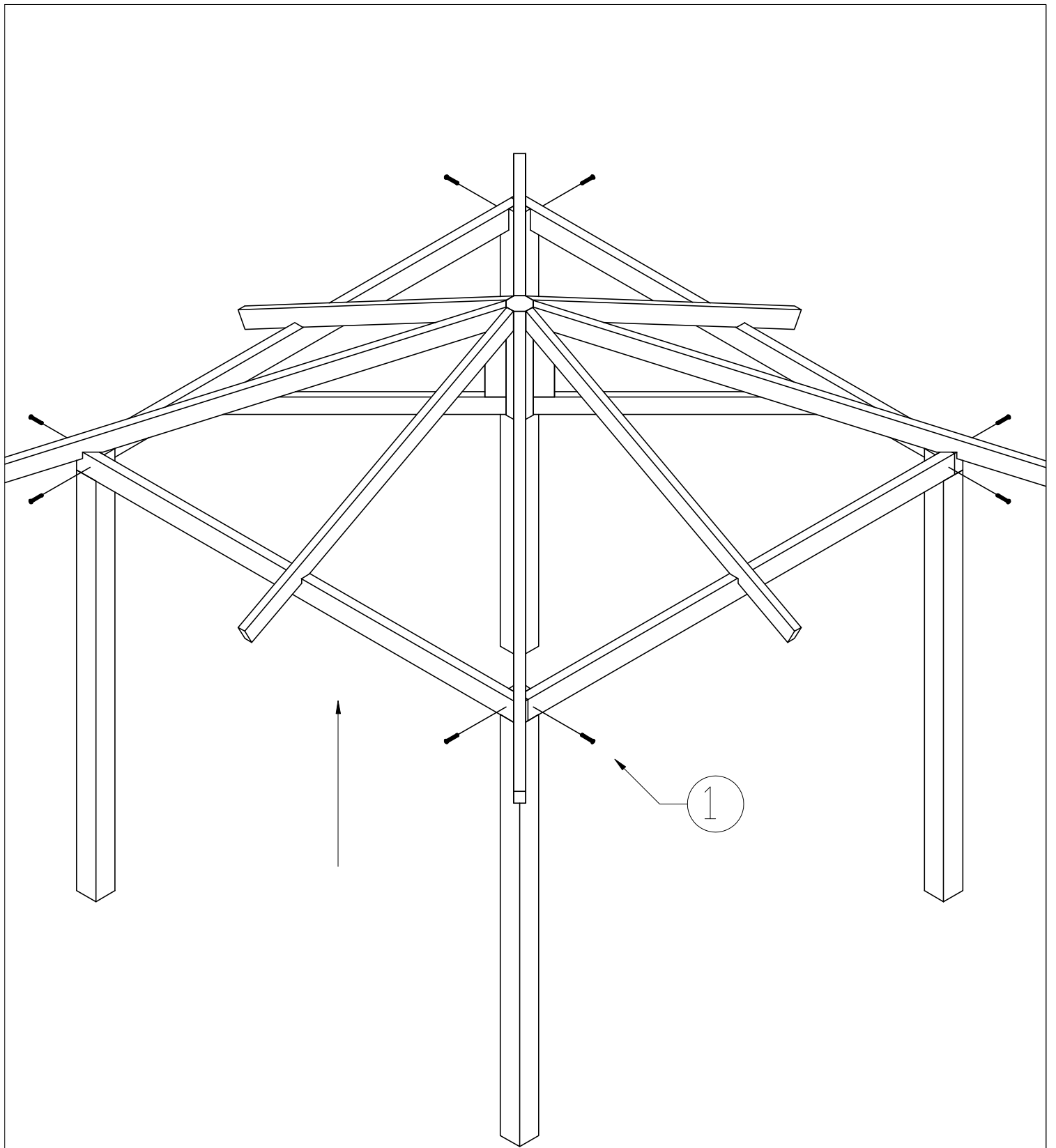
Gazebo Tourist - Assemblage

Page:

6/17

Article nr:

42.3434



Article:

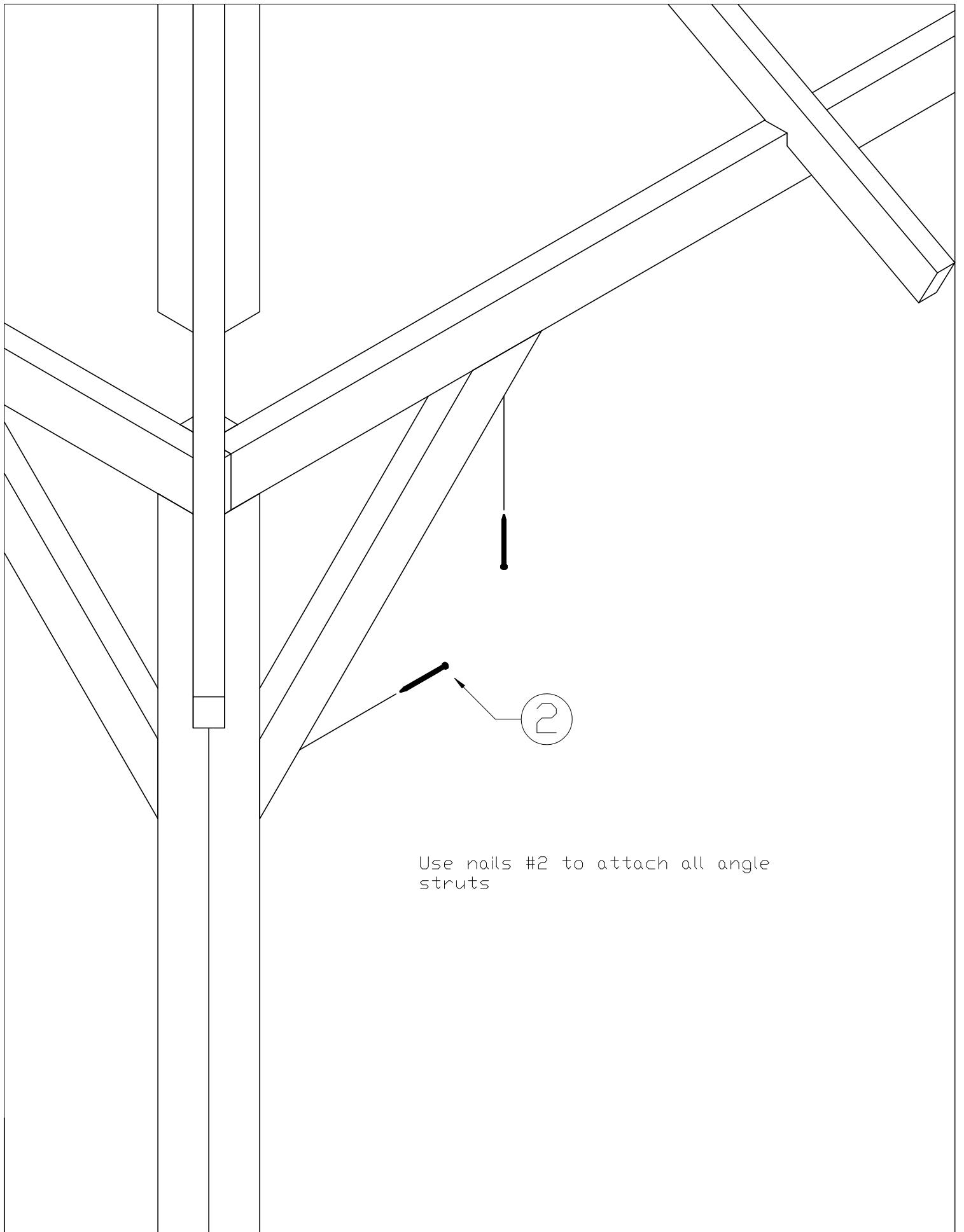
Gazeko Tourist - Assemblage

Page:

7/17

Article nr:

42.3434



Use nails #2 to attach all angle struts

Article:

Gazebo Tourist - Assemblage

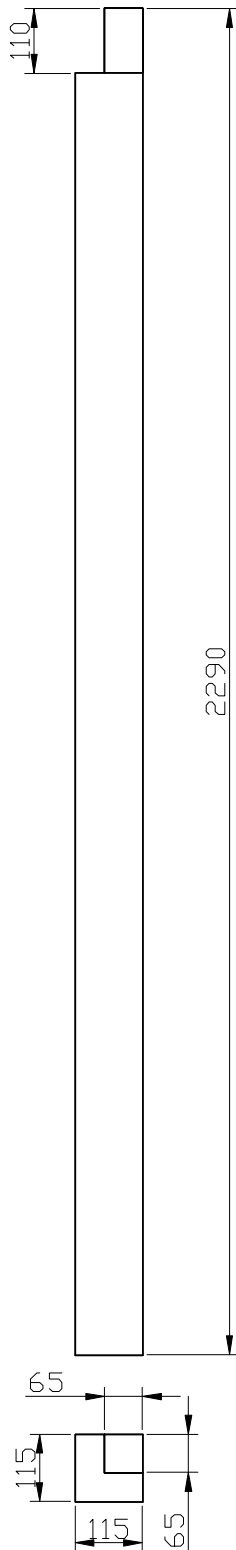
Page:

8/17

Article nr:

42.3434





Article:

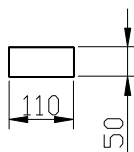
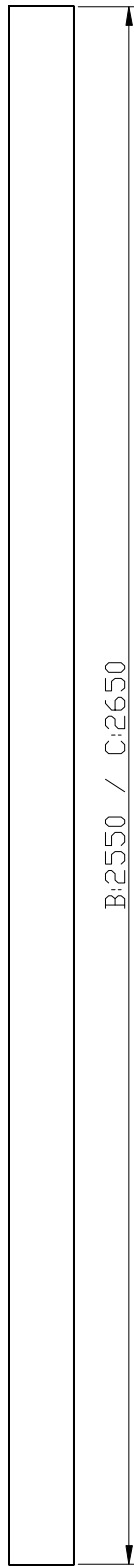
Gazebo Tourist - Element A

Page:

9/17

Article nr:

42.3434



Article:

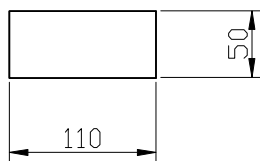
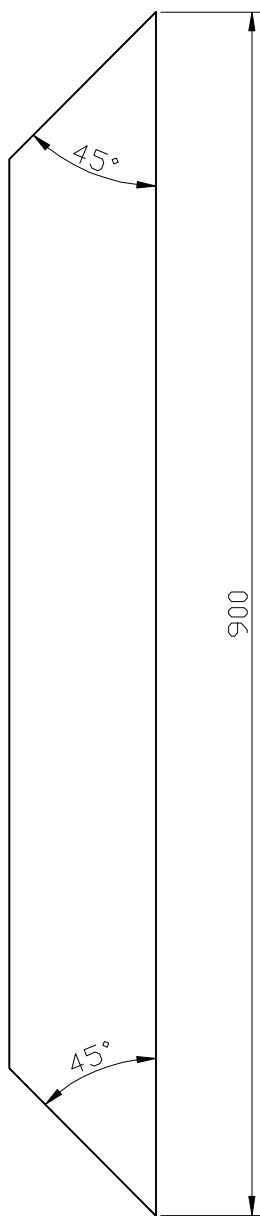
Gazebo Tourist - Element B and C

Page:

10/17

Article nr:

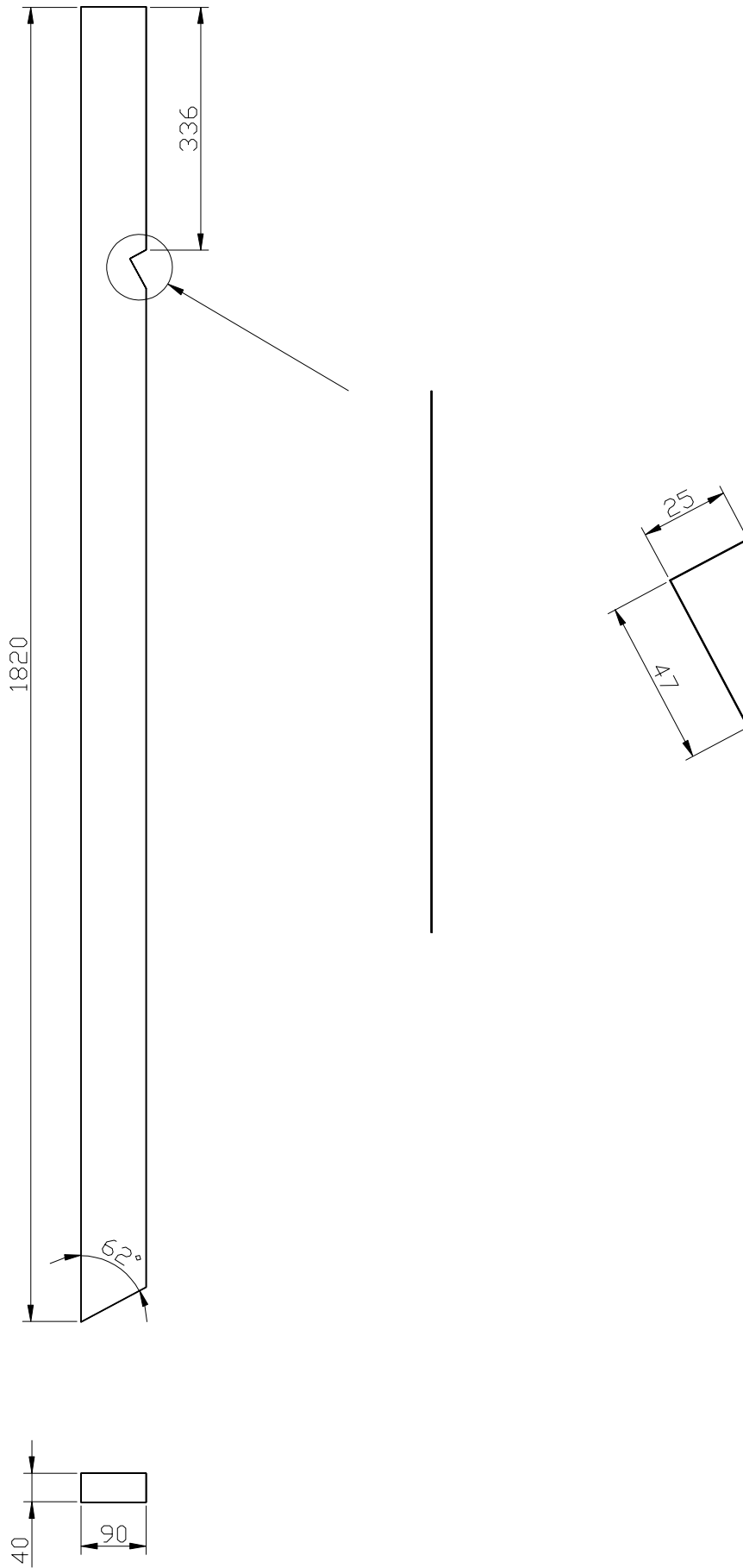
42.3434



Article:  
Gazebo Tourist - Element D

Page:  
11/17

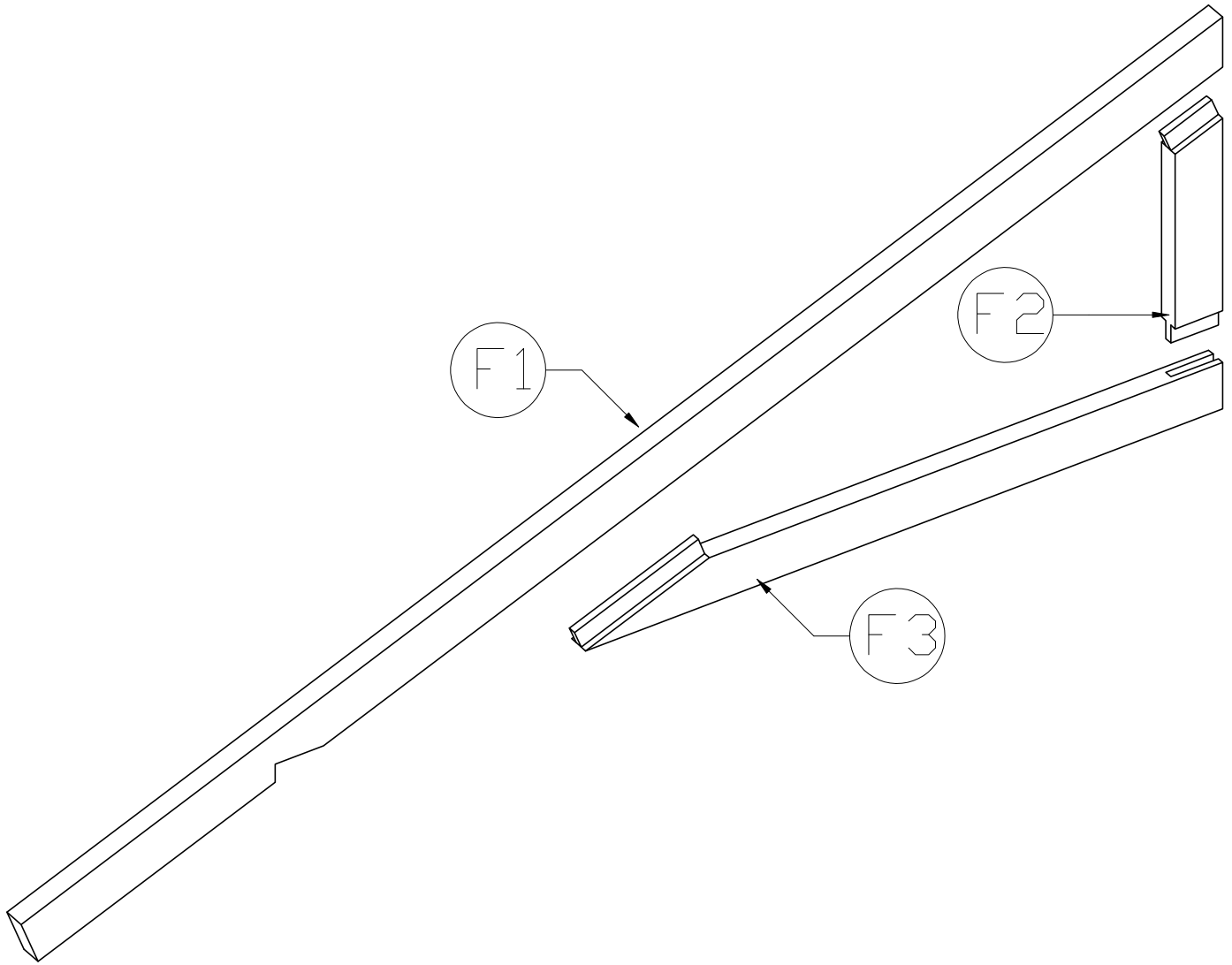
Article nr:  
42.3434



Article:  
Gazebo Tourist - Element E

Page:  
12/17

Article nr:  
42.3434



Article:

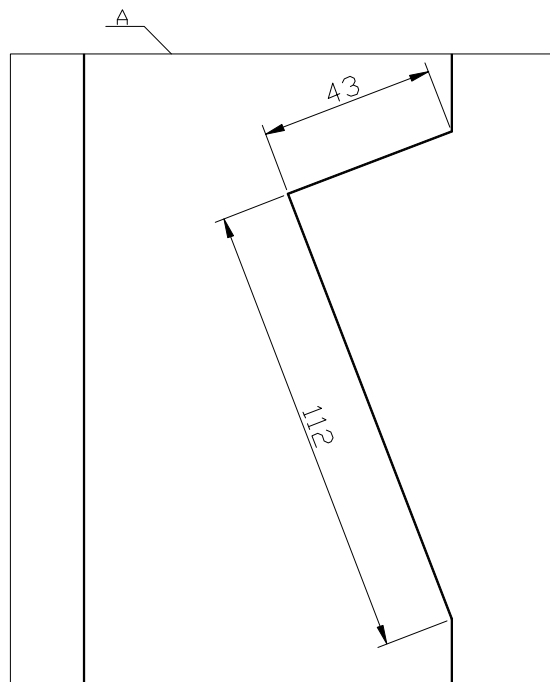
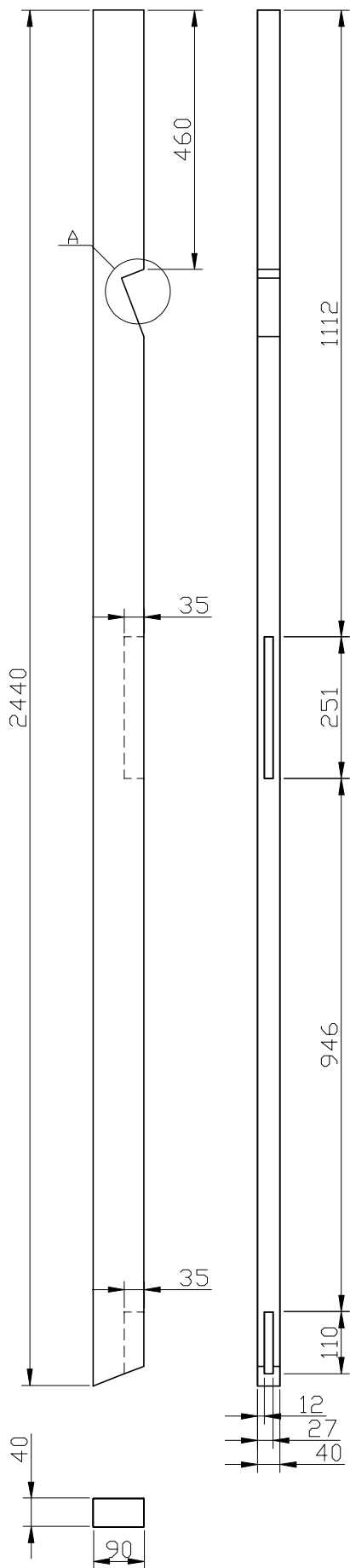
Gazebo Tourist - Element F

Page:

13/17

Article nr:

42.3434



Article:

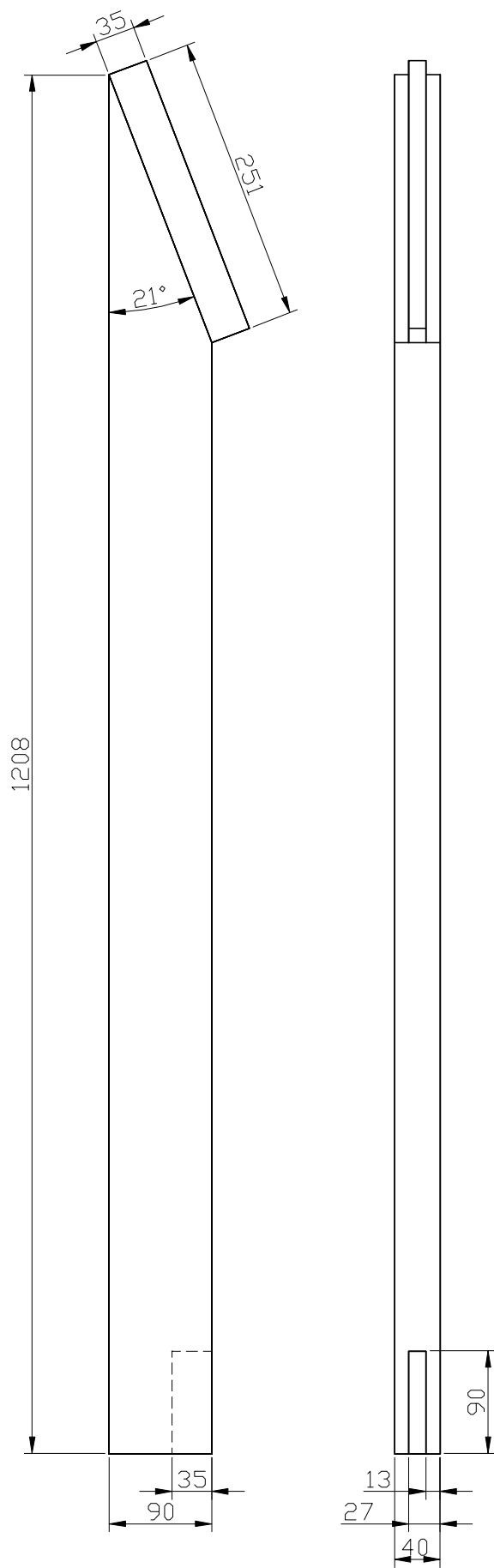
Gazeko Tourist - Element F part F1

Page:

14/17

Article nr:

42.3434



Article:

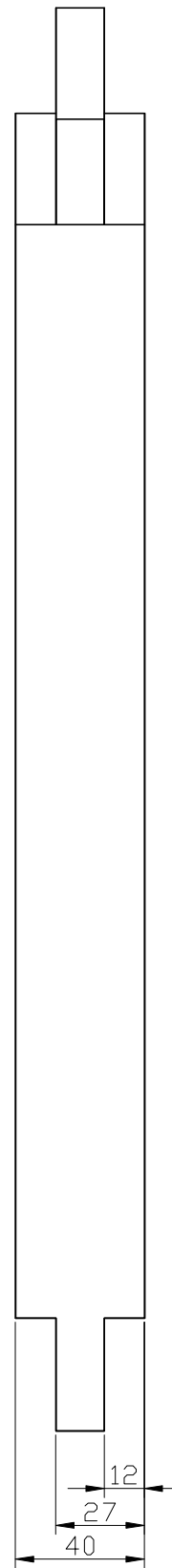
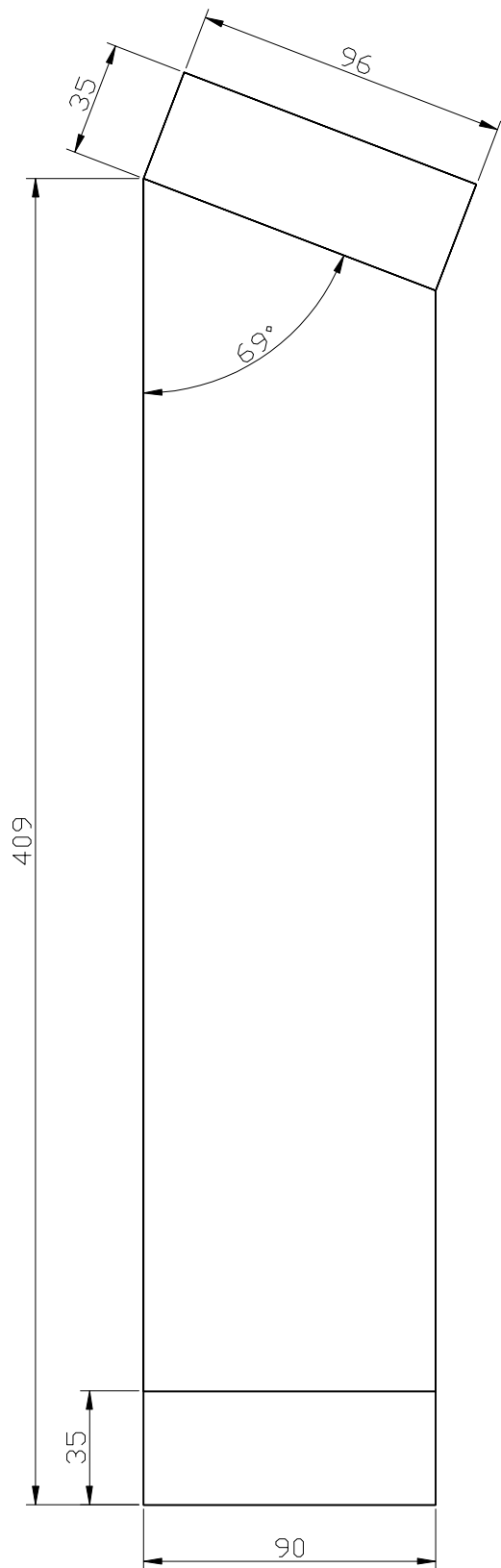
Gazebo Tourist - Element F part F2

Page:

15/17

Article nr:

42.3434



Article:

Gazebo Tourist - Element F part F3

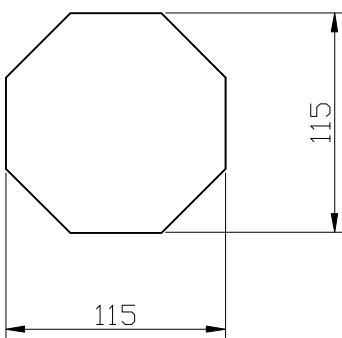
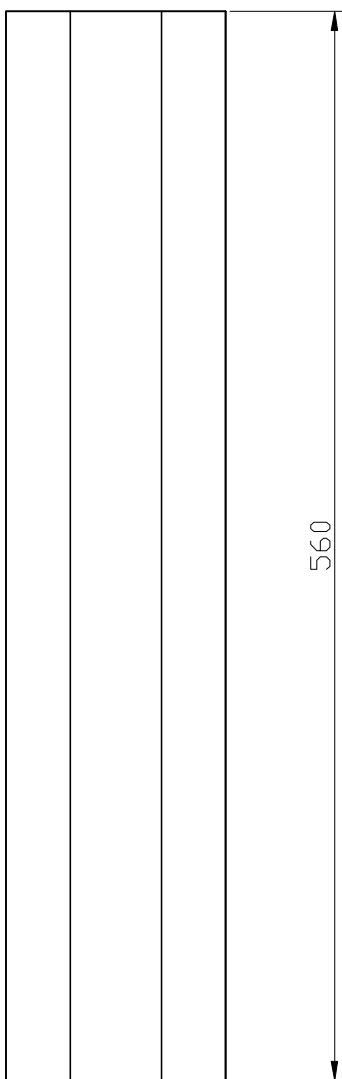
Page:

16/17

Article nr:

42.3434





Article:  
Gazebo Tourist - Element G

Page:  
17/17

Article nr:  
42.3434